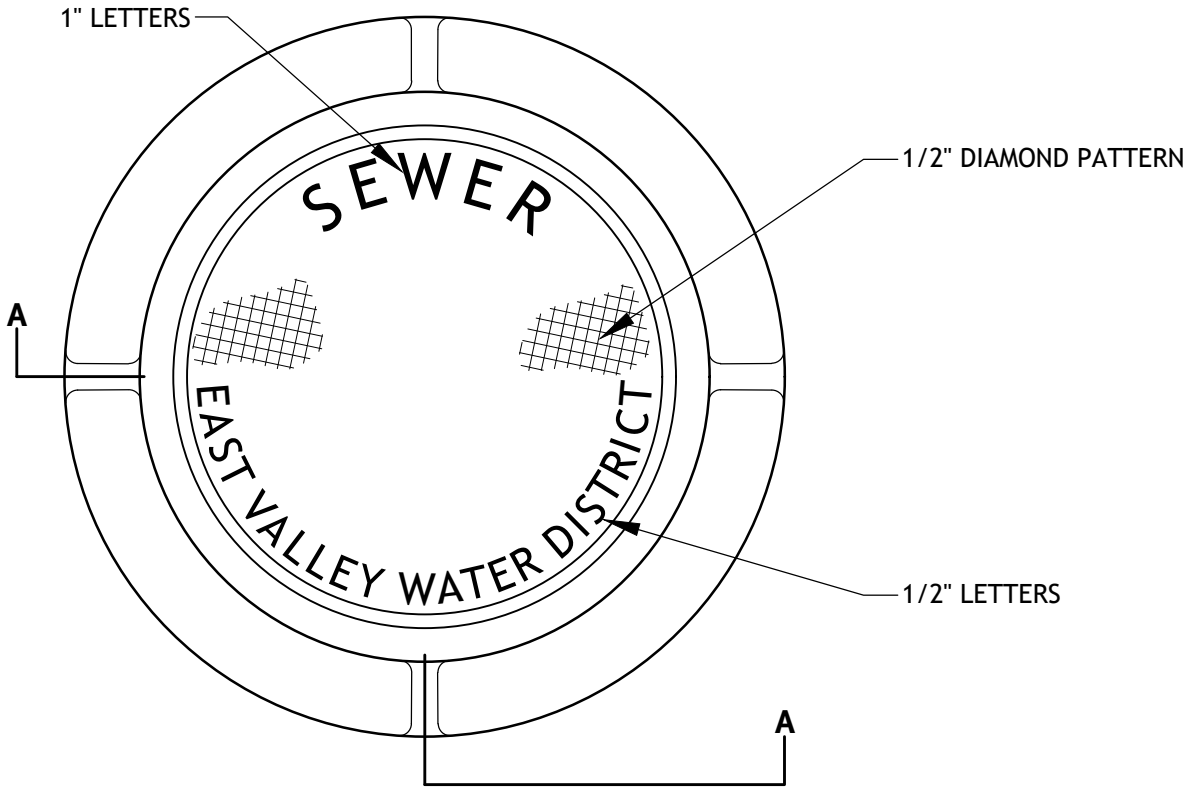
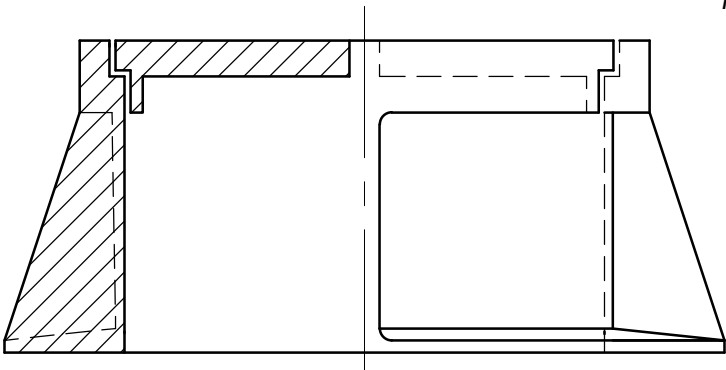


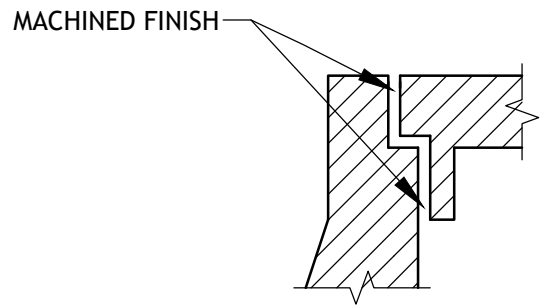
M:\Engineering - Secured\Standards\DWG\2022 Update\Sewer



PLAN



SECTIONAL ELEVATION A-A



COVER SEATING DETAIL

NOTES:

- 1. Covers and frames machined to fit.
- 2. C.I. to have 30,000 psi tensile strength.
- 3. Clean out frame and cover per Alhambra Foundry A-1242.
- 4. Refer to EVWD Standards S-1077 for mounting.

DEAD END CLEAN OUT FRAME and COVER



EAST VALLEY WATER DISTRICT, ENGINEERING DEPARTMENT

APPROVED BY:

Jeff Noelte

JEFF NOELTE, P.E. 67924
DIRECTOR of ENGINEERING and OPERATIONS

APRIL 2022
REVISION

EVWD
STD. DWG.
S-109

SHEET 1 OF 1