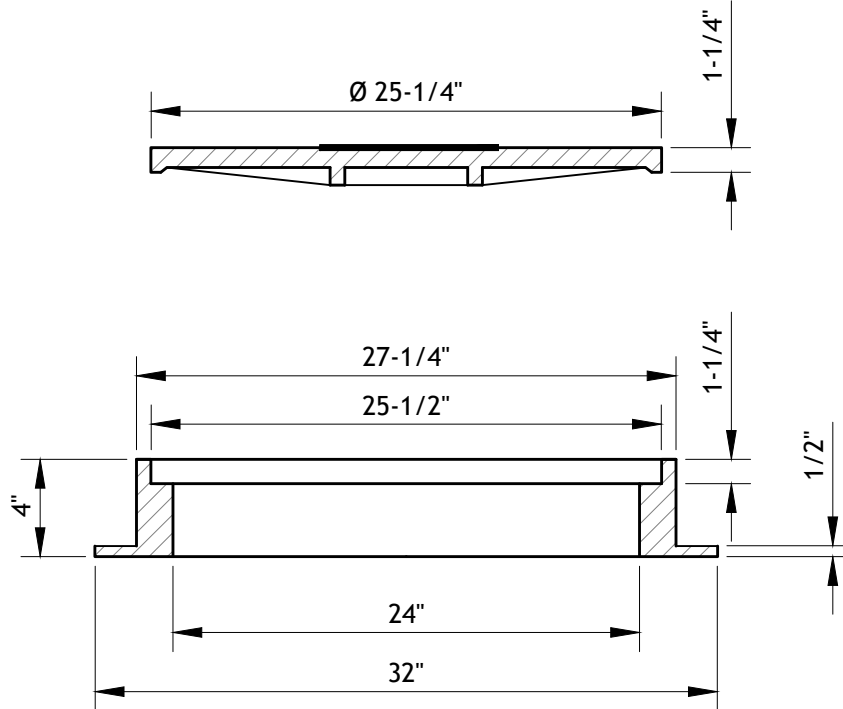


TOP VIEW OF COVER



SECTION A-A

NOTES:

1. Ring and cover to be machined as shown for a snug fit.
2. C.I. to have 30,000 p.s.i. tensile strength.
3. SBF 1254 manhole frame and cover per south bay foundry.

MANHOLE FRAME AND COVER

M:\Engineering - Secured\Standards\DWG\2022 Update\Sewer



EAST VALLEY WATER DISTRICT, ENGINEERING DEPARTMENT

APPROVED BY:

Jeff Noelte
 JEFF NOELTE, R.C.E. 67924
 DIRECTOR of ENGINEERING & OPERATIONS

APRIL 2022
 REVISION

EVWD
 STD. DWG.
 S-106

SHEET 1 OF 1