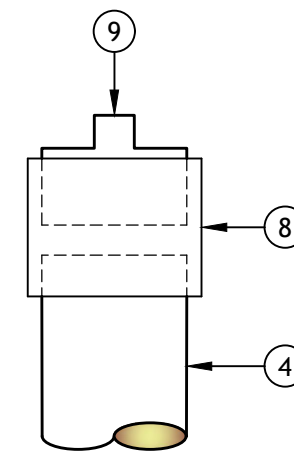


CONSTRUCTION NOTES:

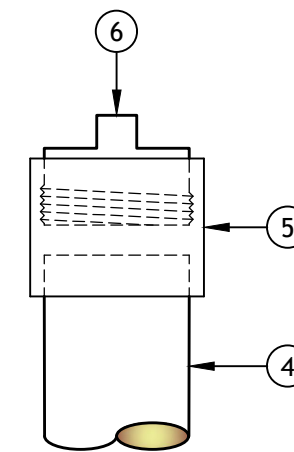
- ① PRECAST BOX, FRAME AND COVER PER EVWD STANDARD DRAWING, S-8
- ② 1/8 BEND (OR OTHER FITTING NECESSARY TO ADJUST TO PROPER GRADE)
- ③ V.C.P. OR P.V.C. PIPE WYE BRANCH FITTING
- ④ V.C.P. OR P.V.C. PIPE
- ⑤ SOLVENT WELD x F.I.P.T. SCH. 40 P.V.C. COUPLING
- ⑥ P.V.C. SCH. 40 STOPPER M.I.P.T. PLUG WITH MALE SQUARE NUT
- ⑦ PIPE LOCATOR FOR NON-METALLIC PIPE INSTALLATIONS. WARNING TAPE PER EVWD STANDARD SPEC. 15151
- ⑧ BANDED RUBBER COUPLING
- ⑨ PLASTIC PLUG
- ⑩ 2" x 2" REDWOOD MARKER STAKE

NOTES:

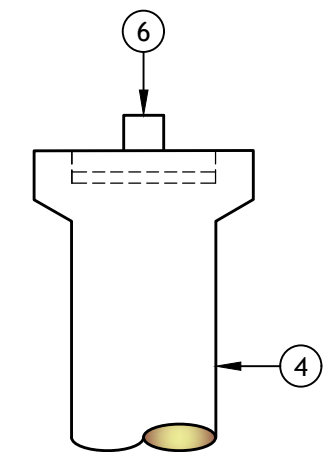
- 1. Where curb and gutter is designed, but not installed, sewer lateral shall be positioned so that a minimum five (5) feet of cover will be maintained under proposed curb installation.
- 2. Where curb and gutter do not exist and are not designed, the lateral shall be positioned so that the minimum clearance at the property line will be five feet and six inches (5'-6") as measured from the crown of the existing street.
- 3. The District shall approve design of connection for multiple family dwellings, commercial lots, schools and places of greater than normal household water use.
- 4. House connection to be at right angles to sewer main unless location of main does not permit.
- 5. Lateral size to be determined on the basis of total number of fixture units, but in no case shall the lateral diameter be less than four inches (4") for single family residential homes; nor less than six inches (6") for multiple family residences and commercial or industrial buildings.
- 6. Place 3/4" crushed rock bedding in trench bottom per East Valley Water District standard.
- 7. Temporary plug wye branch with ABS stopper or approved "cookie" if lateral is not constructed to property line.



VCP STOPPER DETAIL



PVC STOPPER DETAIL



STOPPER DETAIL

TYPICAL HOUSE CONNECTION



EAST VALLEY WATER DISTRICT, ENGINEERING DEPARTMENT
 APPROVED BY:
Jeff Noelte
 JEFF NOELTE, P.E. 67924
 DIRECTOR OF ENGINEERING and OPERATIONS

APRIL 2022
 REVISION

EVWD
 STD. DWG.
 S-101
 SHEET 1 OF 1